



Olypsys®

Professional Grids Available From :

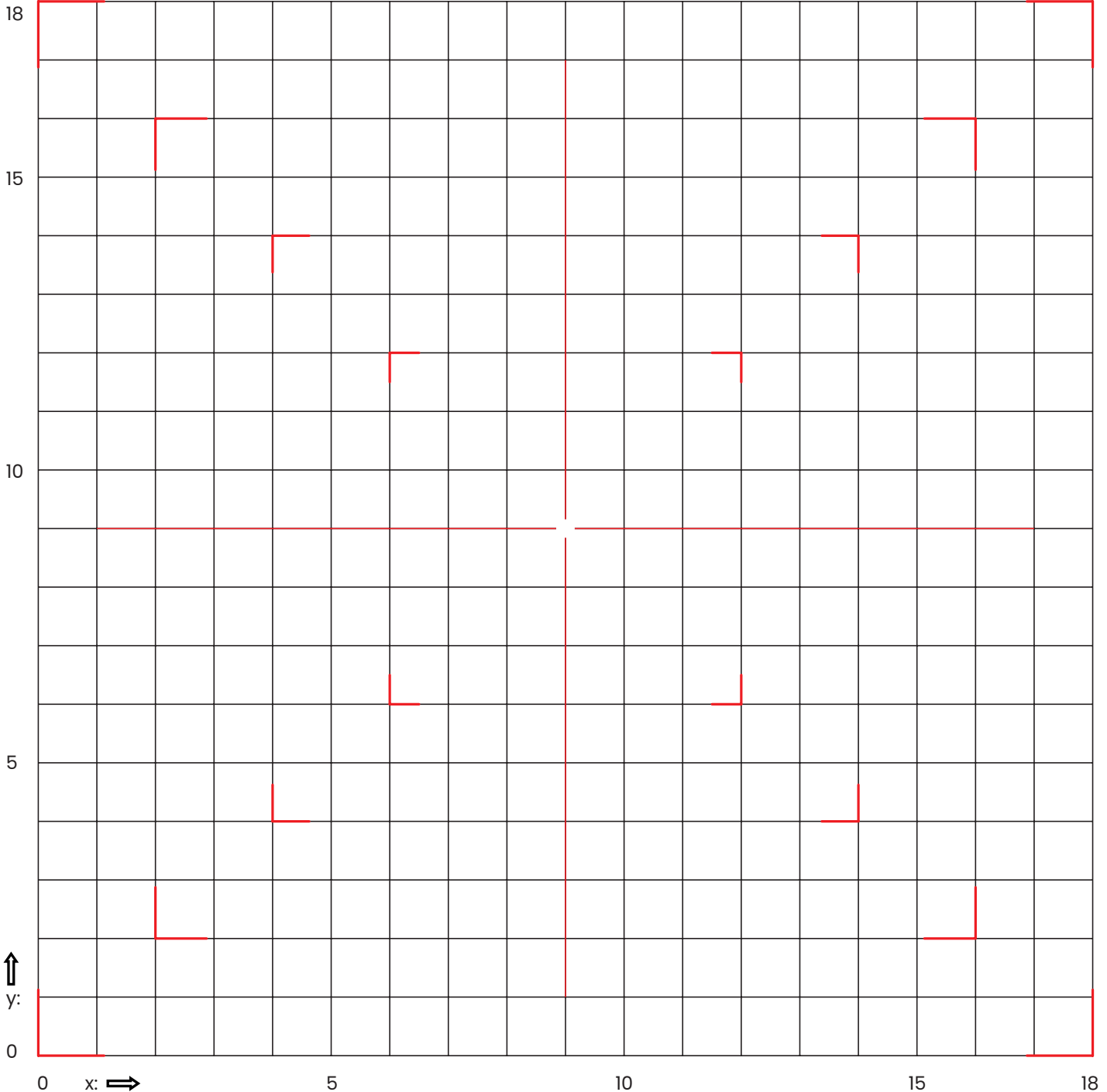


EASTERN SEALS

GLOBAL SEALING PROVIDER

PLEASE STUDY THE INSTRUCTIONS ON THE NEXT PAGE.

FOR TEMPORARY USE ONLY, GET A PRE-PRINTED & CALIBRATED GRID FROM: olypsys.com/grid/



WARNING: DO NOT PHOTOCOPY!

DO NOT LAMINATE OR COVER.

DISCARD IF CREASED OR MARKED .

To calibrate, measure across as many squares as possible in x and y using a digital calliper, or alternatively a high quality rule.

Record in spaces to the right.

Scan QR code in the Olypsys® App and enter measurements to complete calibration.

olypsys.com

Olypsys® Technologies Ltd. © 2023



User Calibration

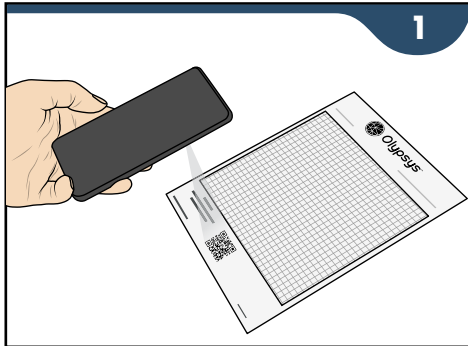
x: mm across squares

y: mm across squares

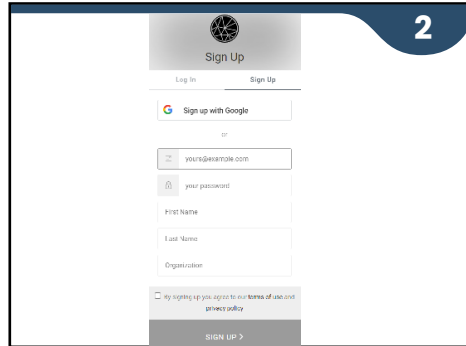
Issue U43 A4

INSTRUCTIONS

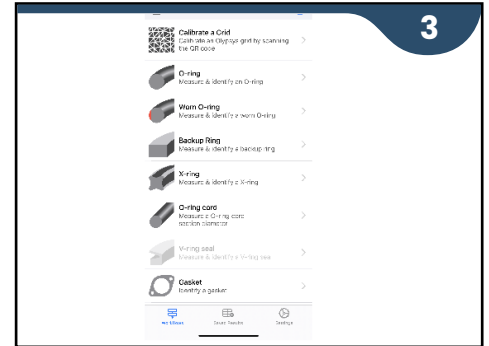
Our software compensates for imperfect images. However, to optimise your measurements, the following guide will help you perfect your technique.



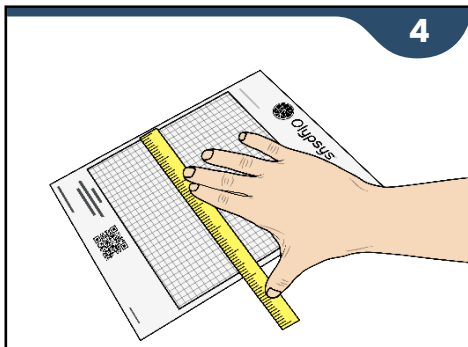
1 Download the Olypsys app from the App Store or Play Store. You can scan the QR code on the front of the measurement grid to get a link.



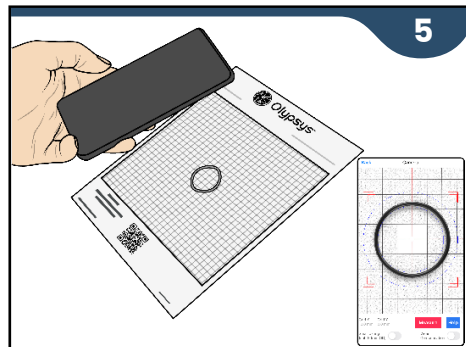
2 Sign up for an Olypsys account using your work email in the Olypsys app.



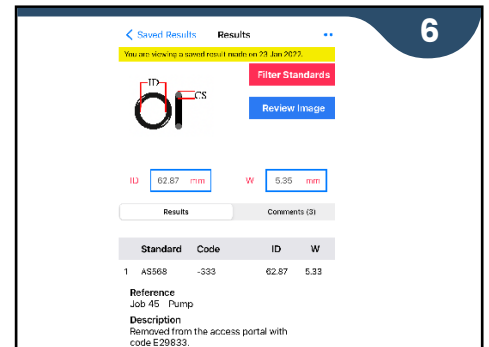
3 Press the "Calibrate a Grid" option in the app and scan the QR code on the front of the Grid.



4 Measure accurately, using digital callipers if available, across as many squares as possible. **Most printers are not accurate, so it is essential to measure manually.** Enter the values in the app



5 Download the Olypsys app from the App Store or Play Store. You can scan the QR code on the front of the measurement grid to get a link.



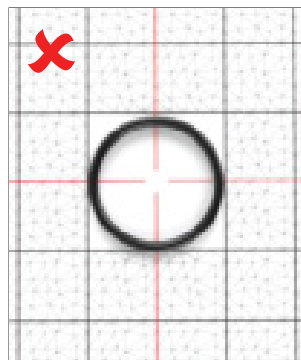
6 Get your results. Filter by different O-ring size standards. Save results for traceability and export using a Pro license obtainable from your Olypsys distributor.

Good Image



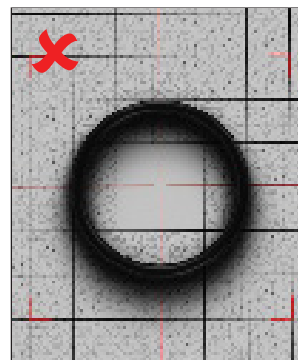
Good lighting, image in focus and square

Focus



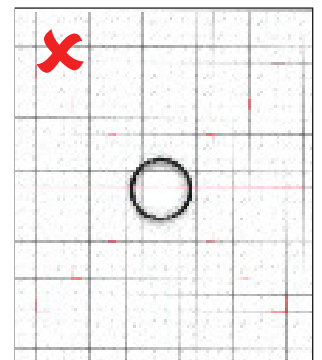
Too close to the o-ring, camera unable to focus.

Excessive Shadow



Contains excessive shadow from oblique lighting.

Too Far



Only ideal for very small o-rings to maintain focus.

If your grid is damaged (creased, stained, distorted etc.) please request a new one.

For up to date help, visit :- olypsys.com